



# ZON-0500

## Zone Control

The ZON-0500 is a standalone or CPU-1000/ECO-1000 integrated zone control. This flexible design allows for multiple applications where other zone controls just won't do the trick. Incorporating 2 dry contact demands, a system pump output, and 4 zones per controller the ZON-0500 can easily adapt into the simplest to the most complex installations. Having the capability of powering either pumps or valves makes for an easy and quick installation every time.



## Features

- 2 Demand outputs:
  - 1 TT/Cooling demand
  - 1 DHW/Heat demand
- System pump output
- Multiple priority selections
- Provides pump or valve control
- High/Low Temperature Selections
- 24VAC or Dry Contact Thermostat Inputs

## Benefits

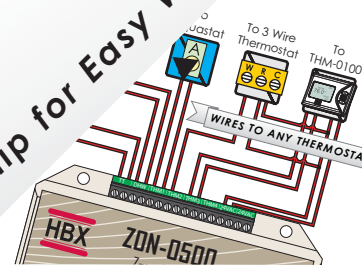
- 24VAC provided for thermostats
- Expandable up to 36 zones
- Zone Protection Technology:
  - protects the zone from getting the wrong
  - temperature from the tank when the zone starts
- Intelligent WWSD when connected to CPU-1000
- Resettable Fusing for Overloads

## Contact Information

4516-112th Avenue SE  
 Calgary, Alberta T2C 2K2  
 CANADA

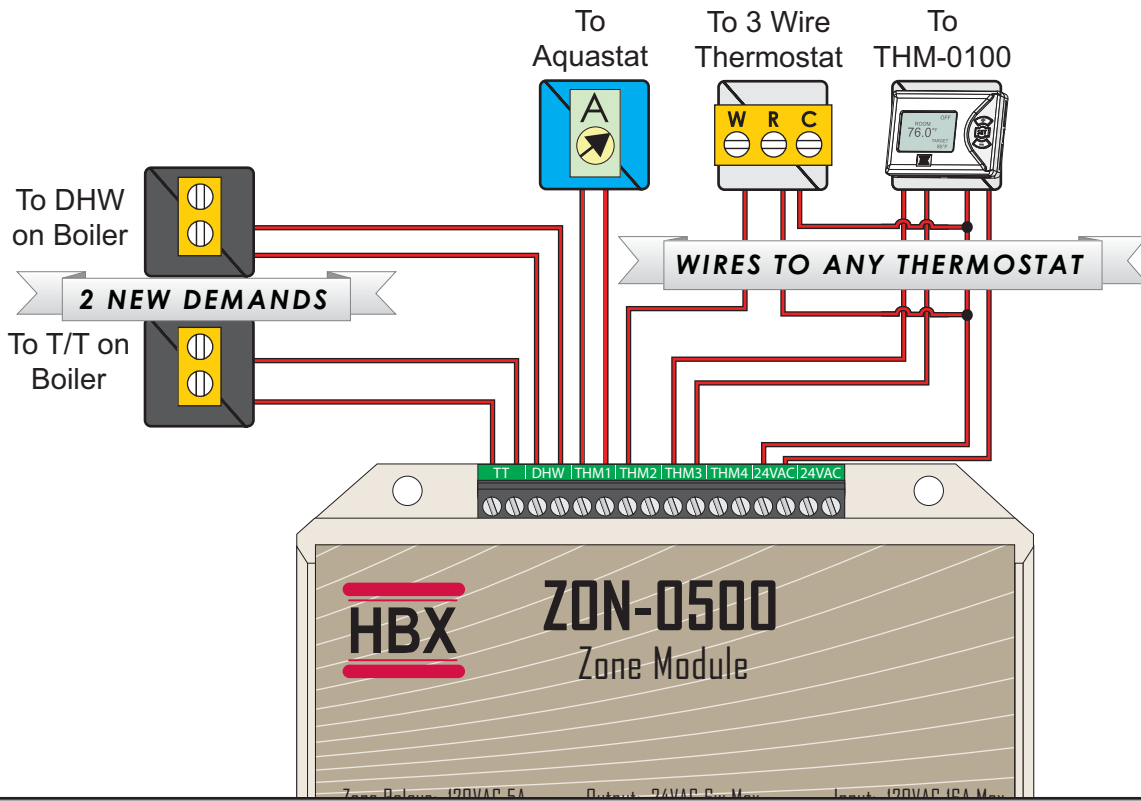
Phone: +1 (403) 720 0029  
 Fax: +1 (403) 720 0054  
 Email: info@hbxcontrols.com

**Flip for Easy Wiring!**

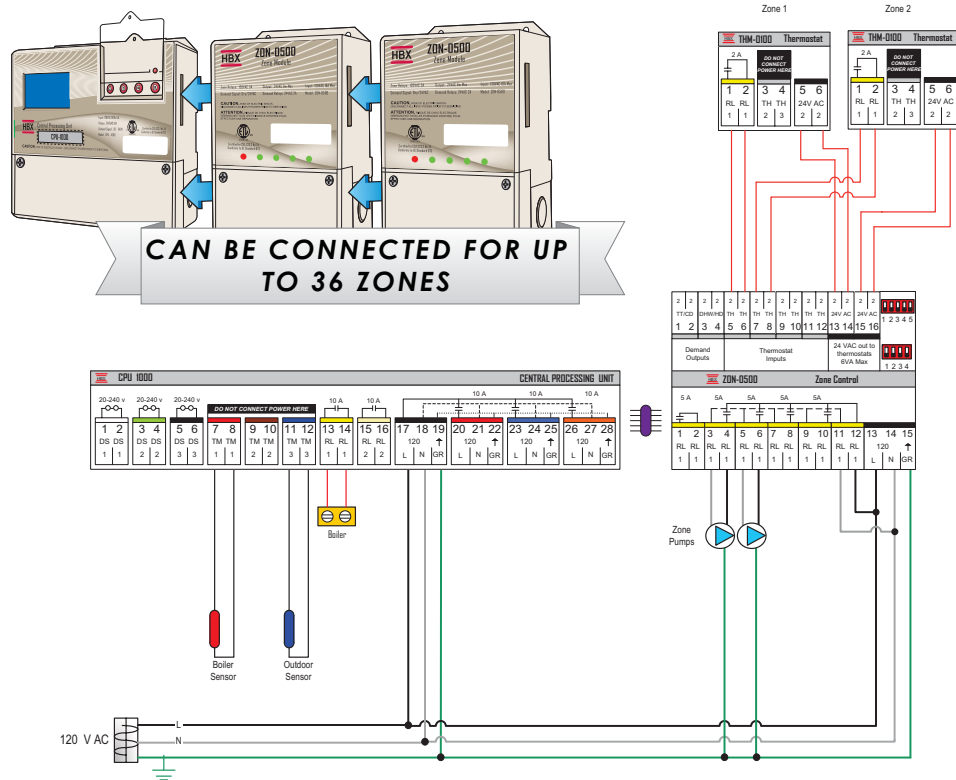




**ZON-0500 with Thermostat**



**ZON-0500 with CPU-1000**



## Contact Information

4516-112th Avenue SE  
Calgary, Alberta T2C 2K2  
CANADA

Phone: +1 (403) 720 0029  
Fax: +1 (403) 720 0054  
Email: info@hbxcontrols.com