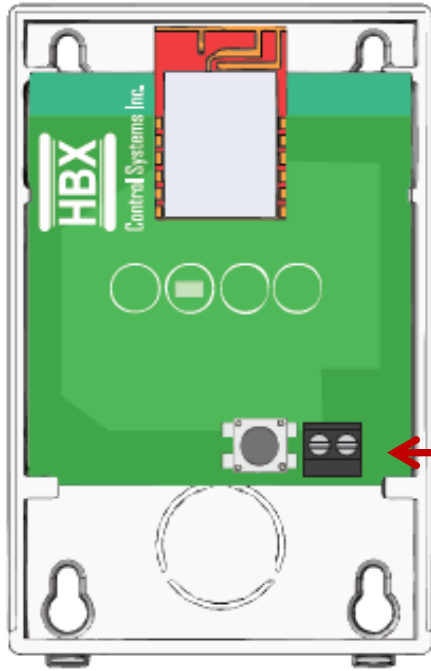


## WAV-0110 (Wireless Outdoor Sensor) Update with External Sensor



The WAV-0110 (Wireless Outdoor Sensor) can now use an external sensor on the outdoor unit. On the outdoor unit control board, there is an external thermistor input beside the pairing button. When wiring an external sensor into this input, it will automatically alternate between the built-in board sensor to the external sensor. An external sensor is not included with the control.

*External Thermistor Input on the WAV-0110 (Outdoor Unit)*

Figure 1 - WAV-0110 (Outdoor Unit)

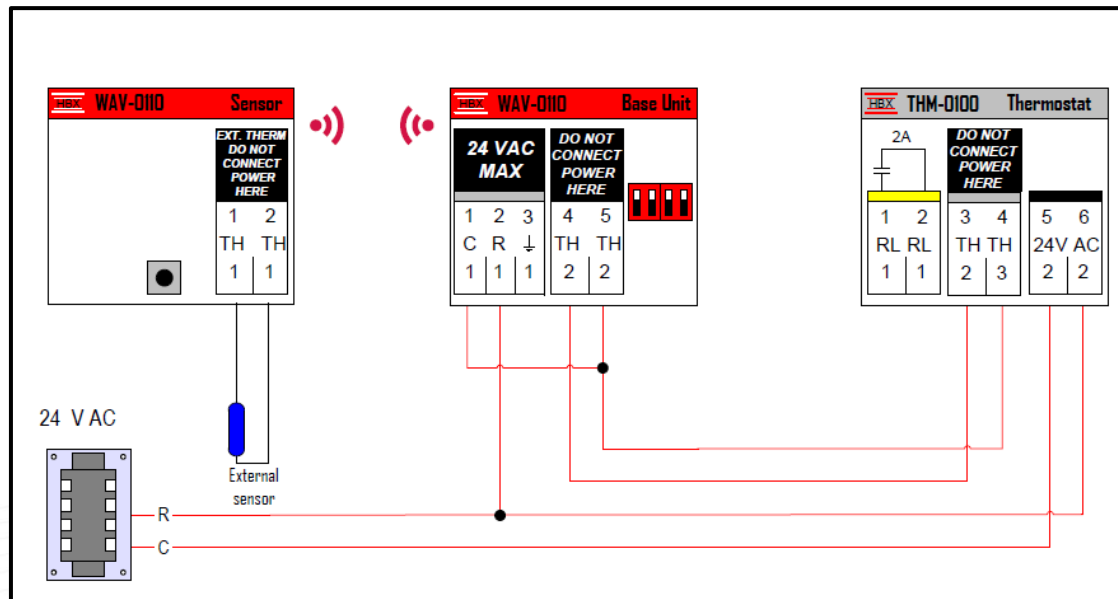


Figure 2 - WAV-0110 with external sensor and THM-0100 Thermostat (Wiring Diagram)

### Contact Information

4516-112th Avenue SE  
Calgary, Alberta T2C 2K2  
CANADA

Phone: +1 (403) 720 0029  
Fax: +1 (403) 720 0054  
Email: info@hbxcontrols.com